



Product designation				Power contactor
Product type designation				BF50
Contact characteristics				
Number of poles	Nr.			4
Rated insulation voltage U _i IEC/EN	V			1000
Rated impulse withstand voltage U _{imp}	kV			8
Operational frequency	min	Hz	25	
	max	Hz	400	
IEC Conventional free air thermal current I _{th}	A			90
Operational current I _e	AC-1 (=40°C)	A	90	
	AC-1 (=55°C)	A	75	
	AC-1 (=70°C)	A	65	
	AC-3 (=440V =55°C)	A	50	
	AC-4 (400V)	A	28	
Rated operational power AC-1 (T=40°C)	230V	kW	34	
	400V	kW	59	
	500V	kW	74	
	690V	kW	102	
IEC max current I _e in DC1 with L/R = 1ms with 1 poles in series	=24V	A	45	
	48V	A	40	
	75V	A	40	
	110V	A	8	
	220V	A	–	
IEC max current I _e in DC1 with L/R = 1ms with 2 poles in series	=24V	A	60	
	48V	A	60	
	75V	A	60	
	110V	A	50	
	220V	A	7	
IEC max current I _e in DC1 with L/R = 1ms with 3 poles in series	=24V	A	60	
	48V	A	60	
	75V	A	60	
	110V	A	55	
	220V	A	75	
IEC max current I _e in DC1 with L/R = 1ms with 4 poles in series	=24V	A	60	
	48V	A	60	
	75V	A	60	
	110V	A	60	
	220V	A	90	

IEC max current I_e in DC3-DC5 with L/R = 15ms with 1 poles in series

=24V	A	30
48V	A	25
75V	A	22
110V	A	3
220V	A	–

IEC max current I_e in DC3-DC5 with L/R = 15ms with 2 poles in series

=24V	A	35
48V	A	35
75V	A	30
110V	A	25
220V	A	5

IEC max current I_e in DC3-DC5 with L/R = 15ms with 3 poles in series

=24V	A	50
48V	A	50
75V	A	45
110V	A	30
220V	A	40

IEC max current I_e in DC3-DC5 with L/R = 15ms with 4 poles in series

=24V	A	55
48V	A	55
75V	A	55
110V	A	45
220V	A	50

Short-time allowable current for 10s (IEC/EN60947-1)

A	400
---	-----

Protection fuse

gG (IEC)	A	100
aM (IEC)	A	50

Making capacity (RMS value)

A	500
---	-----

Breaking capacity at voltage

440V	A	400
500V	A	352
690V	A	312

Resistance per pole (average value)

m?	0.8
----	-----

Power dissipation per pole (average value)

I _{th}	W	6.5
AC3	W	2

Tightening torque for terminals

min	Nm	4
max	Nm	5
min	I _{bin}	2.95
max	I _{bin}	3.69

Tightening torque for coil terminal

min	Nm	0.8
max	Nm	1
min	I _{bin}	0.8
max	I _{bin}	0.74

Max number of wires simultaneously connectable

Nr.	2
-----	---

Conductor section

AWG/Kcmil

max	2
-----	---

Flexible w/o lug conductor section

min	mm ²	1.5
-----	-----------------	-----

		max	mm ²	35
Flexible c/w lug conductor section		min	mm ²	1.5
		max	mm ²	35
Power terminal protection according to IEC/EN 60529				IP20 front
Mechanical features				
Operating position		normal allowable		Vertical plan ±30°
Fixing				Screw / DIN rail 35mm
Weight			g	1240
Conductor section	AWG/kcmil conductor section			
		max		2
Operations				
Mechanical life			cycles	15000000
Electrical life			cycles	1400000
Safety related data				
Performance level B10d according to EN/ISO 13489-1		rated load mechanical load	cycles	1400000
			cycles	15000000
Mirror contacts according to IEC/EN 60947-4-1				yes
EMC compatibility				yes
AC coil operating				
Rated AC voltage at 60Hz			V	460
AC operating voltage	of 60Hz coil powered at 60Hz			
	pick-up	min	%Us	80
		max	%Us	110
	drop-out	min	%Us	20
		max	%Us	55
AC average coil consumption at 20°C	of 60Hz coil powered at 60Hz			
		in-rush holding	VA	210
			VA	15
Dissipation at holding =20°C 50Hz			W	5
Max cycles frequency				
Mechanical operation			cycles/h	3600
Operating times				
Average time for Us control	in AC			
	Closing NO	min	ms	12
		max	ms	28
	Opening NO	min	ms	8
		max	ms	22
	in DC			
	Closing NO	min	ms	40
		max	ms	85

Opening NO

min	ms	20
max	ms	55

UL technical data

Full-load current (FLA) for three-phase AC motor

at 480V	A	52
at 600V	A	41

Yielded mechanical performance

for single-phase AC motor

110/120V	HP	5
230V	HP	10

for three-phase AC motor

200/208V	HP	15
220/230V	HP	20
460/480V	HP	40
575/600V	HP	40

General USE

Contactor

AC current	A	90
------------	---	----

Short-circuit protection fuse, 600V

High fault

Short circuit current	kA	100
Fuse rating	A	150
Fuse class		J

Standard fault

Short circuit current	kA	5
Fuse rating	A	150
Fuse class		RK5

Ambient conditions

Temperature

Operating temperature

min	°C	-50
max	°C	70

Storage temperature

min	°C	-60
max	°C	80

Max altitude

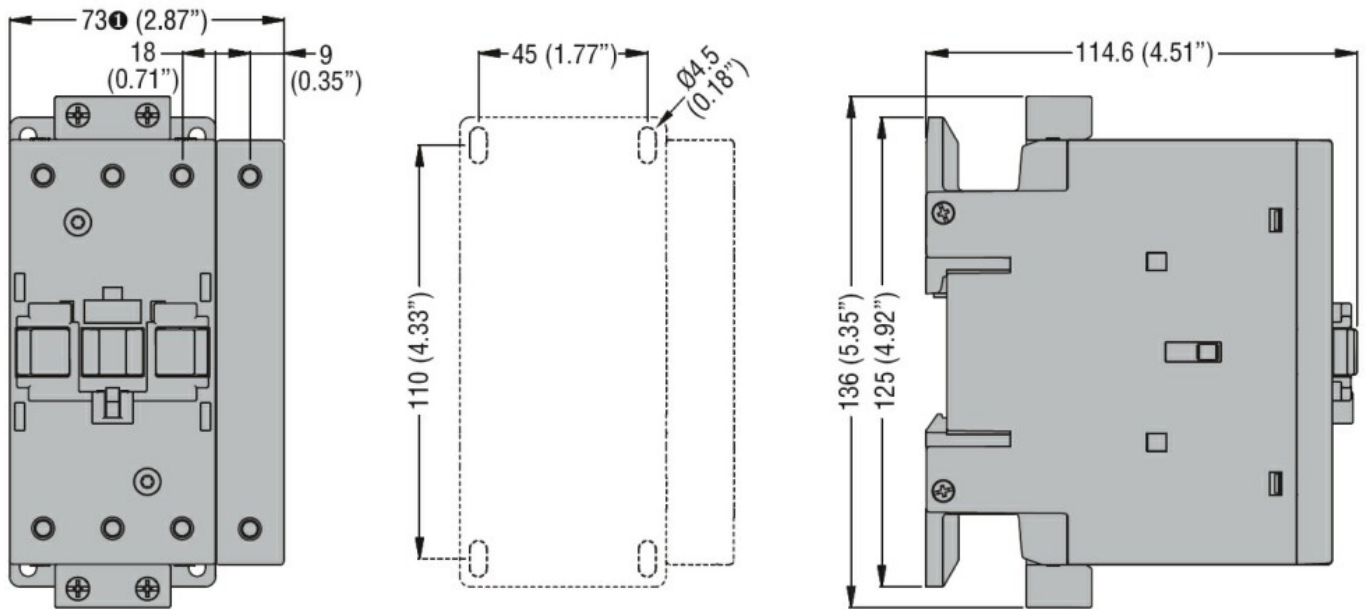
m	3000
---	------

Resistance & Protection

Pollution degree

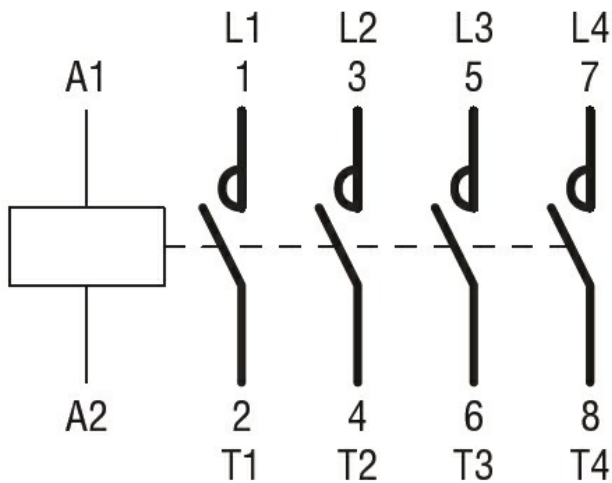
3

Dimensions



① BF80T2 82mm/3.23''

Wiring diagrams



Certifications and compliance

Compliance

CSA C22.2 n° 60947-1
CSA C22.2 n° 60947-4-1
IEC/EN/BS 60947-1
IEC/EN/BS 60947-4-1
UL 60947-1
UL 60947-4-1

Certificates

CCC
cULus

ETIM classification

ETIM 8.0

EC000066 -
Power contactor,
AC switching